

PowerPack Basic Line Tank

—HYDROSTA

General information

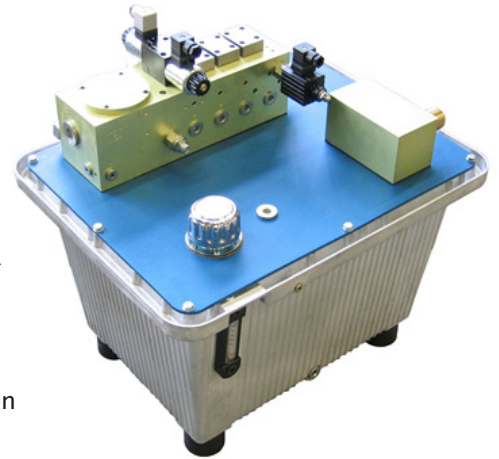
A complete new unit, simple in design, simple to connect and multi purpose, that is the new Basic Line Powerpack from Hydrosta.

70 l capacity aluminium reservoir equipped with:

- Aluminium valve block with space for 4xNG6 (CETOP3) valves, with 1 function as standard
- Equipped with main relieve valve, return line filter and load-sensing pressure regulator
- Valve block suitable for 250 bar
- Filler cap
- Sight level glass
- Drain plug
- Oil catch edge around the tank lid
- Vibration dampers.

The system has the following extension options:

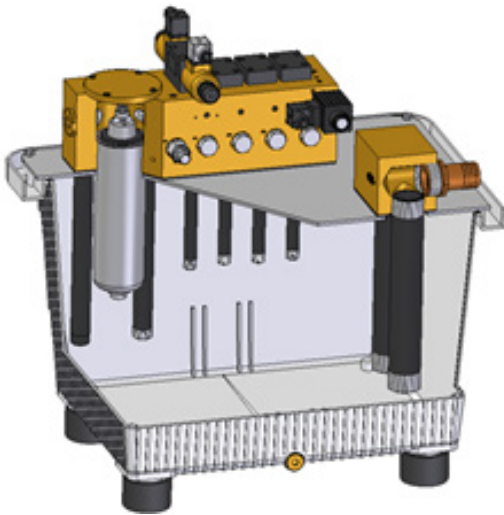
- 3x extra NG6 valve functions
- Second pump option thanks to extra hose socket and drain nipple,
- Optional cooling circuit to the valve block for water cooling
- Valve block is equipped for the connection of a drain for each section and extra pump drain
- Manometer
- Pressure switch
- Level switch / temperature switch
- Steering valve block with NG6 valve to combine direct on the valve block.



Tecnic

Integrated return filter. Equipped with all standpipes as a standard, thus prepared for any expansions.

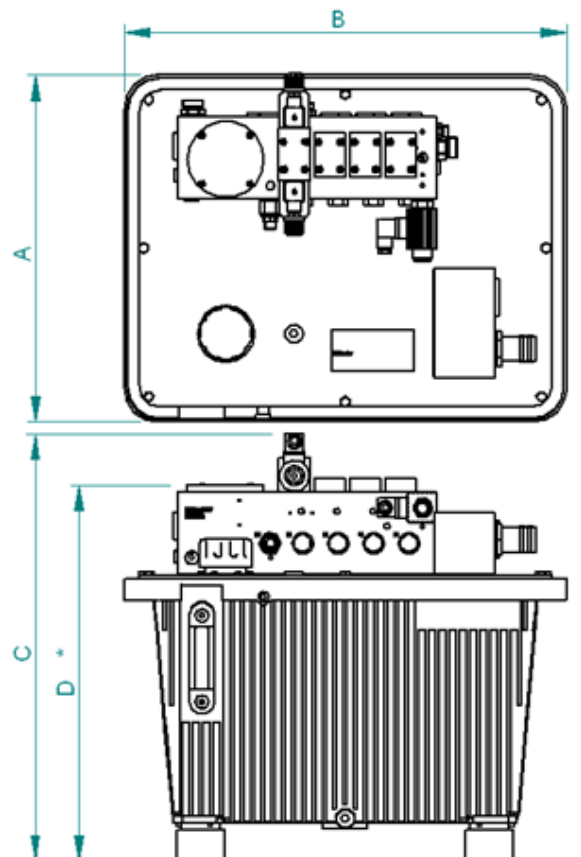
If a cooler is used in the system, for a stabilizer function, the cooler can be connected to the valve block.



Dimensions in mm

A	508
B	648
C	626
D	550*

* a space of 300 mm should be reserved above the lid for replacement option of the return filter. The required height at the filter should be 850 mm total.



Hydrosta BV
De Kalkovens 4
8064 PS Zwartsluis
The Netherlands

T +31 (0)38 386 64 64
E info@hydrosta.nl
W www.hydrosta.nl

—HYDROSTA